



Delta Cover s.r.l.

Via Bergamo 1F - 26011 Casalbuttano ed Uniti (CR) - Italy

P.IVA 01263450197 Codice SDI: SUBM70N



+39 0374 361603



commerciale@deltacover.com



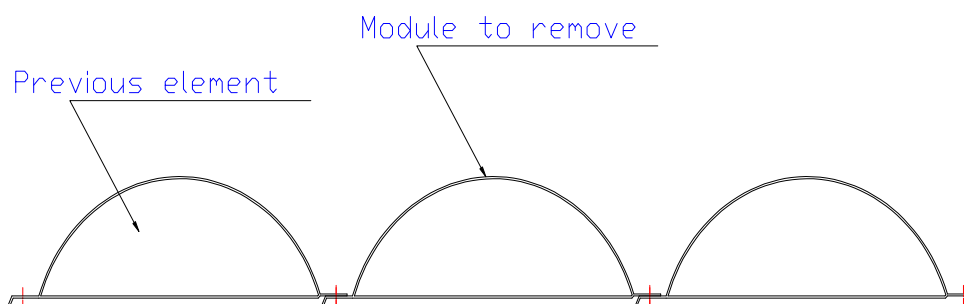
www.deltacover.com

SINGLE COVER ELEMENT DISASSEMBLY PROCEDURE

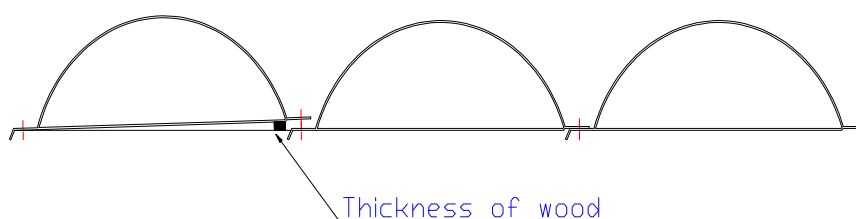
The operations to be performed for the disassembly and reassembly of individual roofing elements is very simple and requires the intervention of a maximum of one or two people (depends on the length of the roof tile) and a suitable lifting device.

Removal:

Unscrew the bolts present on the entire perimeter of the module to be removed and also the ones that are placed on the short sides of the previous module that overlaps (see figure).



Using a lever, slightly lift the previous element and place a thickness of wood (5 cm) between the panel and the tank edge to facilitate the extraction of the module to be removed (see figure).





Delta Cover s.r.l.

Via Bergamo 1F - 26011 Casalbuttano ed Uniti (CR) - Italy
P.IVA 01263450197 Codice SDI: SUBM70N



+39 0374 361603

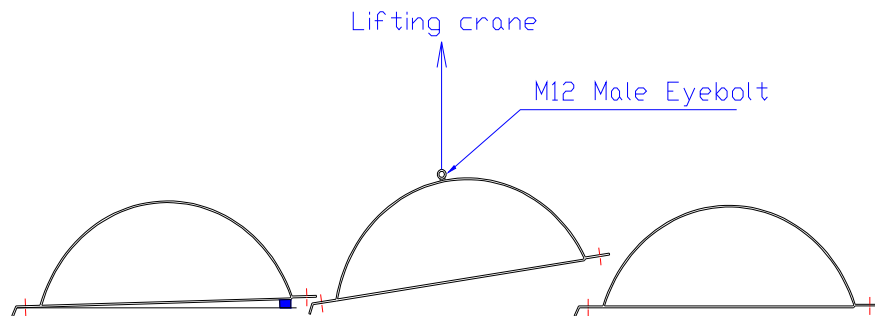


commerciale@deltacover.com



www.deltacover.com

Screw no. 2 M12 male eyebolts at the lifting points provided on the element and lift with a lifting crane or by hand if the weight allows it.



To reassemble, proceed backwards with the operations described above.

DELTA COVER S.r.l.