

FIXING SYSTEMS

PANEL-TO-PANEL FIXING SYSTEM

Gasket:

Between panels is provide positioning of EPDM gasket with minimum 5 mm thickness.

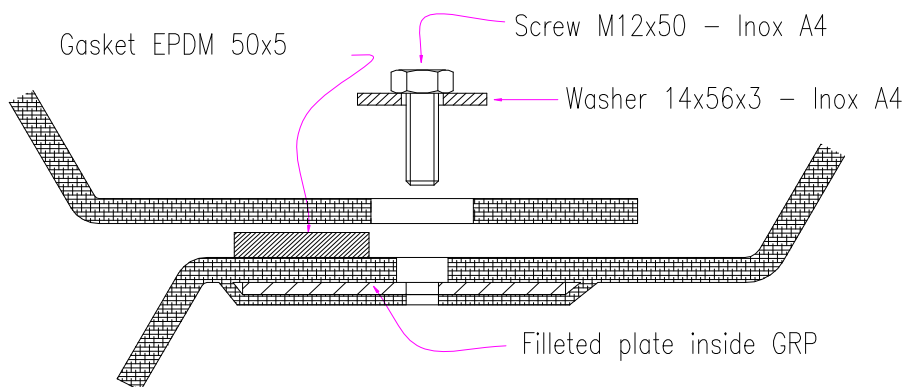
Flanging:

The elements for fixing one panel to another will comprise:

Screw M12 X 50 in AISI 316

Flat washer in AISI 316, size \varnothing 56x14x3 mm

Filletted plate inside GRP, AISI 304



PANEL-TO-WALL FIXING SYSTEM

Gasket:

Between panels and concrete is provide positioning of EPDM gasket with minimum 8 mm thickness.

Anchorage:

Wedge bolts in stainless steel 316 will be supply to fix GRP items to the concrete.

